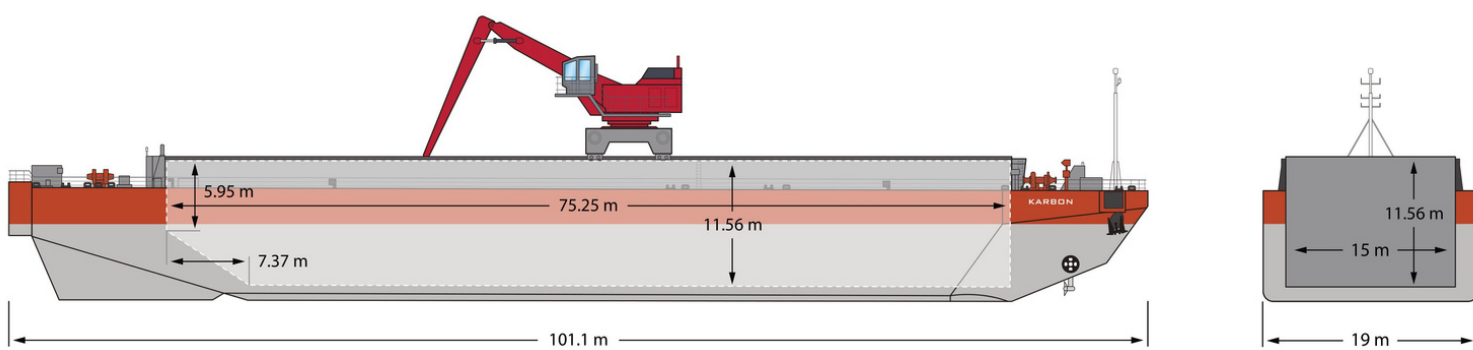


**BARGE
KARBON**



IMO	8606006
TYPE	BARGE
FLAG	CYPRUS
YEAR BUILT	1987
CLASS	RINA
DWAT	10 883 MTS
GT	4744 MTS
NT	2741 MTS
LENGTH	101,1 M
BREADTH	19 M
DEPTH	10 M
DRAFT	7,63 M
CC APPROX	13 054 M3
HOLD	75,25 X 15 X 11,56
THRUSTER	YES
SHIPYARD	ODENSE - STAALSKIBSVAERFT A/S